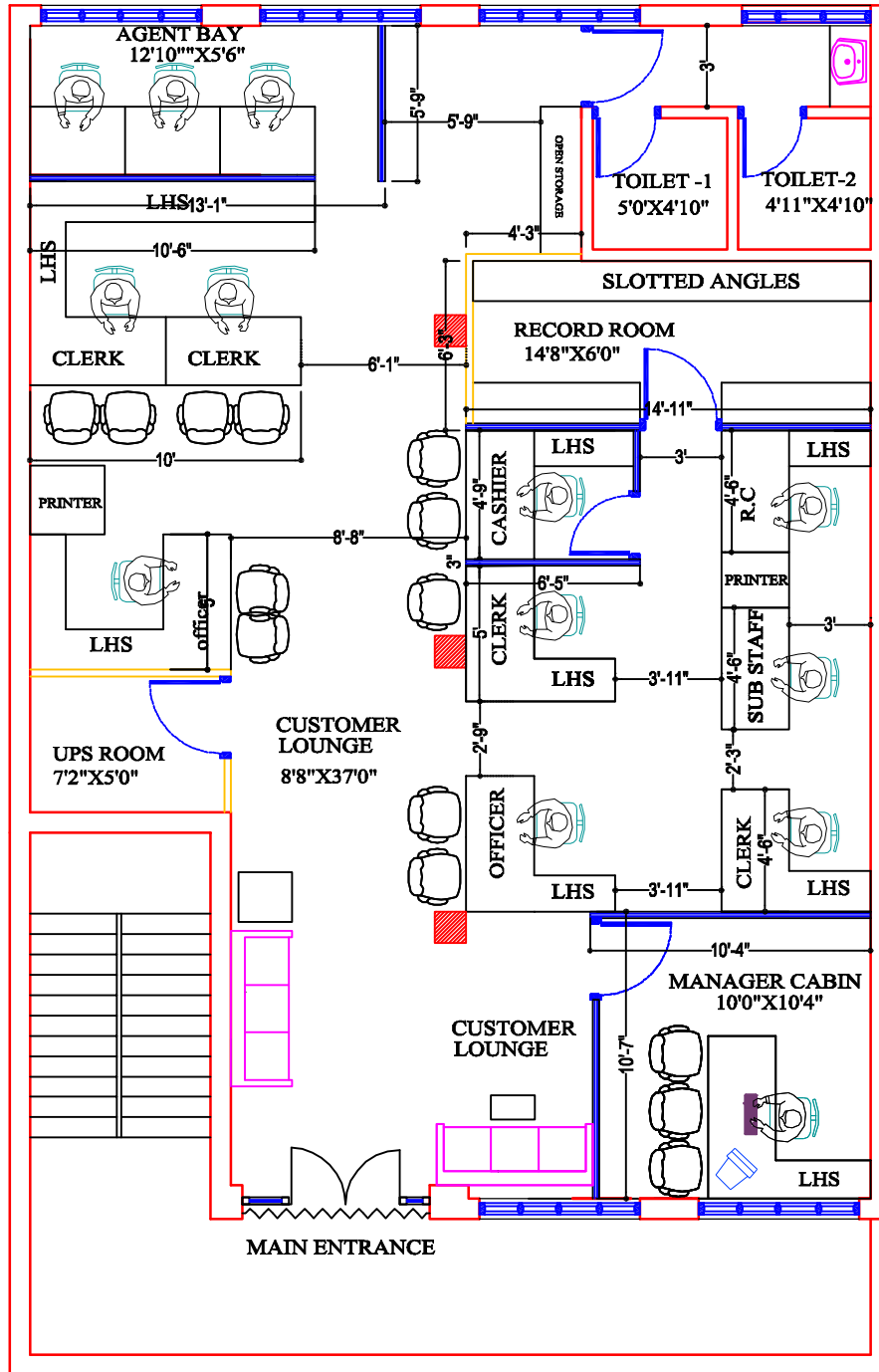


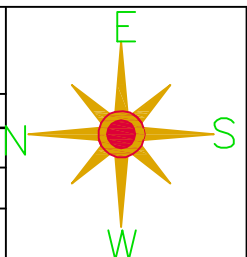
DISCUSSION PLAN ON 12/09/2018



FIRST FLOOR PLAN

OPTION 8

PROPOSED INTERIOR LAYOUT FOR UNITED INDIA INSURANCE CO. LTD @ MADIKERI	
INTERIOR LAYOUT	DRAWN: JAGADEESHA.S
DRAWING NO. & REV.:	CHECKED: P.Basavaraj
AREA : 1239.3 SFT	DATE: 12.09.2018
All Dimensions are in Feet / Inches.	Scale: NTS



PRISM INNOVATIONS
 Architects', Interiors Designer, & Valuers
 #3, First Floor, Nanda Ashirwad Complex,
 Canara Bank Colony, Second main Road,
 Chandra Layout, Bangalore-72.
 Email : basuarch00@gmail.com,
 prisminnovation14@gmail.com
 OFFICE : 0811010051 080 2320722